

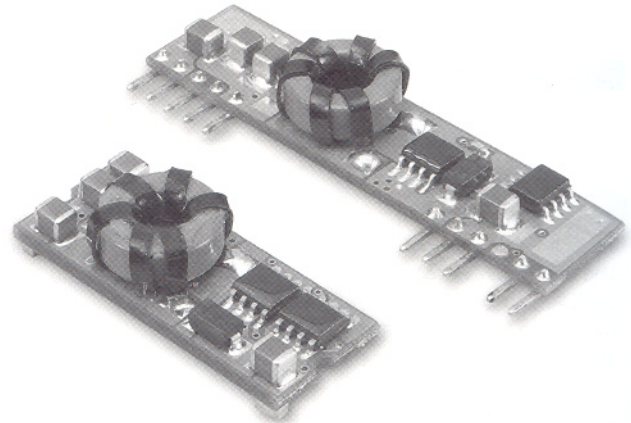
BSIP15-05

BSMT15-05 Series

15A SIP & SMT 5V Input DC-DC Converters

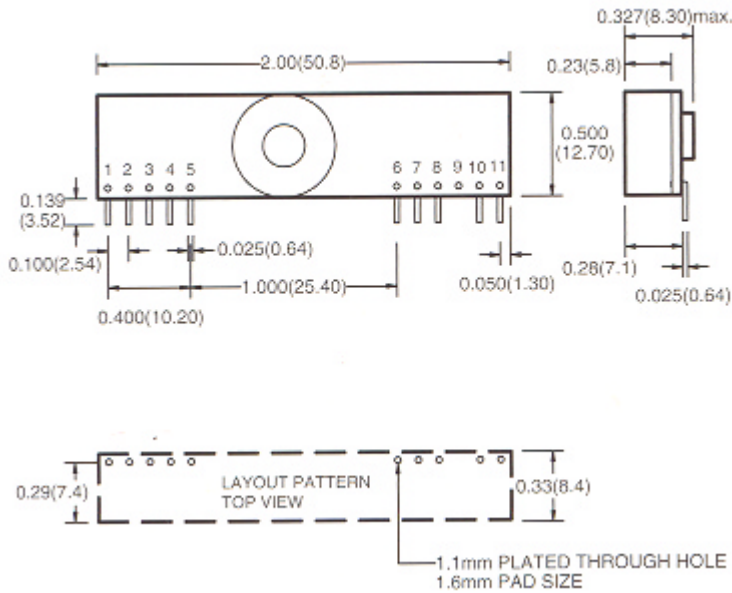
Features

- Industry standard pin out
- High efficiency to 94%
- 300KHz switching frequency
- 3.0 – 5.5 Vdc input range
- 0.75-3.63Vdc wide output range
- Over temperature protection
- Continuous short circuit protection
- Remote On/Off
- Cost efficient open frame design
- UL / cUL 60950 certified



Model Number	Input Voltage	Output Voltage	Output Current	Input Current		Efficiency %
				No Load	Full Load	
BSIP15-05-075 / BSMT15-05-075	3.0 -5.5 Vdc	0.75 Vdc	15A	60 mA	3658 mA	82
BSIP15-05-120 / BSMT15-05-120	3.0 -5.5 Vdc	1.2 Vdc	15A	60 mA	4286 mA	84
BSIP15-05-150 / BSMT15-05-150	3.0 -5.5 Vdc	1.5 Vdc	15A	60 mA	5172 mA	87
BSIP15-05-180 / BSMT15-05-180	3.0 -5.5 Vdc	1.8 Vdc	15A	70 mA	6136 mA	88
BSIP15-05-200 / BSMT15-05-200	3.0 -5.5 Vdc	2.0 Bdc	15A	70 mA	6742 mA	89
BSIP15-05-250 / BSMT15-05-250	3.0 -5.5 Vdc	2.5 Vdc	15A	70 mA	8152 mA	92
BSIP15-05-330 / BSMT15-05-330	4.5 -5.5 Vdc	3.3 Vdc	15A	70 mA	10532 mA	94

SIP Outline Inforamtion



Dimensions are in Inches (millimeters)
 Tolerances: .XX ± 0.2" (.X ± 0.5), unless otherwise noted
 .XXX ± 0.01" (.XX ± 0.25)

PIN CONNECTION	
Pin	Function
1	+ Output
2	+ Output
3	+ Sense
4	+ Output
5	Common
6	Common
7	+ V Input
8	+ V Input
9	No Pin
10	Trim
11	On / Off Control

Temperature Typical Derating Curve

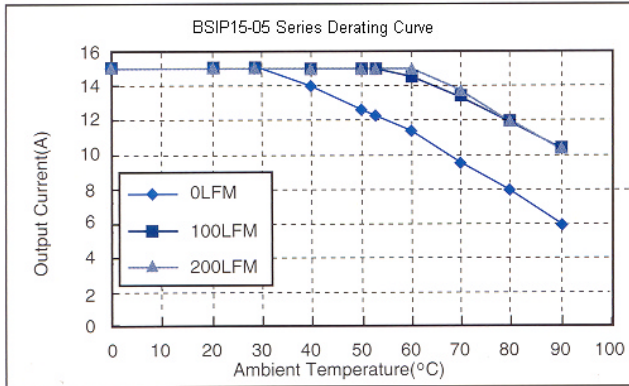


Fig 2.: Typical Derating Curve of BSIP15-05 series

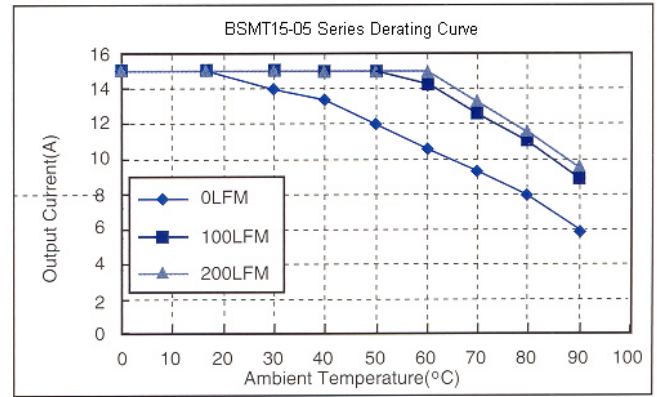


Fig 3.: Typical Derating Curve of BSMT15-05 series

Trim Resistor Values

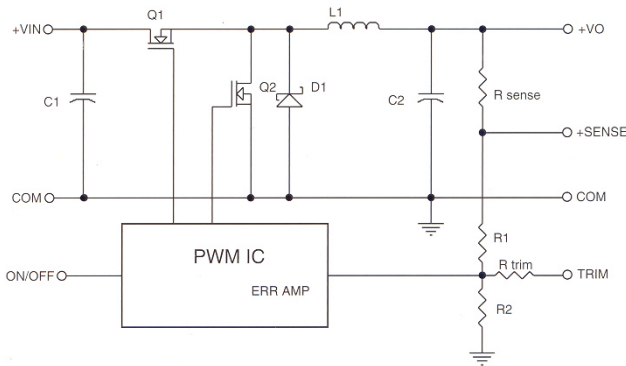


Fig 3.: Simplified Schematic

Vo (set) (V)	Rtrim (Kohm)
0.9	135.36
1.00	79.17
1.20	41.17
1.50	22.98
1.80	14.96
2.00	11.75
2.50	6.93
3.30	3.15
3.63	2.20

The information and specifications contained in this brief are believed to be accurate and reliable at the time of publication. Specifications are subject to change without notice. Refer to product specification sheet for performance characteristics and application guidelines.